

# SmallRig



## All-in-One Video Kit for Smartphone Creators Quick Basic Edition

— Operating Instruction —

Thank you for purchasing SmallRig's product.  
Please read this Operating Instruction carefully.  
Please follow the safety warnings.

## Warnings

- Please do not use the product in water because it is not dust or waterproof.
- Do not let the product fall to the ground, be hit, or suffer a violent impact.

## Product Description

Welcome to use SmallRig All-in-One Kit, a one-stop solution for mobile vlogging and live streaming. The kit includes Universal Quick Release Cage, Quick Release Handle with Wireless Control, Quick Release Side Handle, which can support handheld shooting or tripod shooting, quickly switch shooting scenes and effectively solve the problem of insufficient stability of mobile phone shooting. The kit is available with multiple standard 1/4"-20 threaded holes and cold shoe mounts, allowing accessories to be freely combined. The kit is equipped with a full quick-release configuration in the high-frequency combination accessories, which greatly improves the shooting efficiency.

## In the Box

The package includes the following items:



Universal Quick  
Release Cage × 1



Quick Release Handle  
with Wireless Control × 1



Quick Release  
Side Handle × 1



Operating Instruction  
× 1

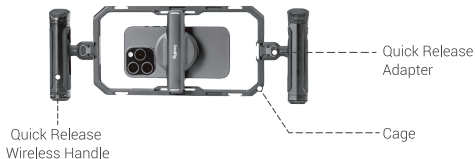


User Manual  
× 1



Guarantee Card  
× 1

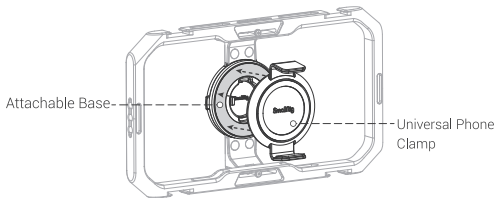
## Product Details



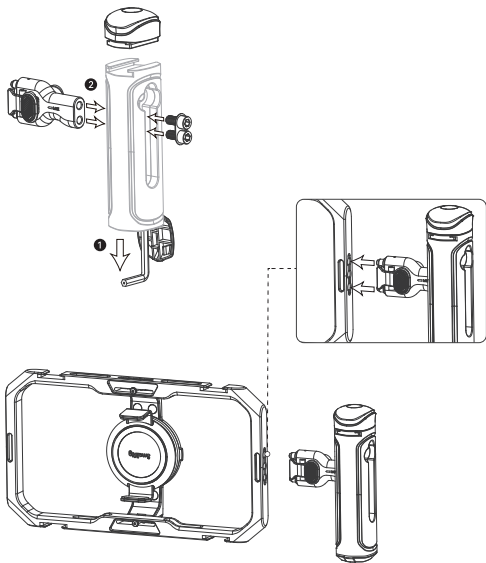
\* Please note the mobile phone is not included in the kit.

## Installation Steps

- 1. Mobile Phone Installation:** (attachable installation) pinch the buttons on both sides of the clamping column, remove the mobile phone clamp, and align the attachable circle to attract the mobile phone; (mobile phone clamp installation) pull open the phone clamp, avoid the phone buttons and hold the phone.



**2. Quick Release Handle Installation:** Open the decorative cover at the bottom of the handle, take out the Allen wrench, and install the quick release adapter to the handle body. Then align the upper and lower positioning pins of the adapter with the 1/4"-20 threaded hole on the cage, and press the handle laterally until the quick-release buckle is completely snapped into the quick release slot of the cage.



## Kit Features

1. Perfect solution for phone vlogging and live streaming.
2. Supports handheld shooting and quick switching between horizontal and vertical modes.
3. Detachable wireless remote control supports one-key shooting, and offers long-distance remote control.
4. Multiple 1/4"-20 threaded holes and cold shoe mounts for more mounting options.
5. The universal cage supports the use of mobile phones with cases.

## Wireless Remote Controller Function

Shutter Name	SmallRig WR-03
Turning On	Press the button for 2 seconds to turn on, the indicator light flashes quickly for 8 seconds to enter the pairing state. The indicator light flashes green slowly in the pairing state.
Turning Off	Press the button for 2 seconds, the indicator light will be on for 2 seconds, flash 2 times and then turn off.
No Paired Connection	The indicator flashes green slowly.
Paired Connection	After successful pairing, the indicator light turns off. If without operation for 10 minutes, the controller will turn off. The indicator turns off.
Automatically Turning Off	If no pairing, it will automatically turn off without operation for 3 minutes, The indicator flashes off.
Photographing	Press the button shortly and the green light flashes once.
Video Shooting	Press the button shortly to turn on shooting, and the green light flashes once. Press the button again to stop shooting and the green light flashes once.
Low Battery	When the battery voltage is below 2.5V, the indicator flashes red.

Automatic Pairing	After turning on, if the wireless control of the last paired mobile phone is turned on, it will be connected automatically.
Automatic Pairing after Wake up from Sleep Mode	After waking up from sleep, if the wireless control of the last paired mobile phone is turned on, it will be connected automatically.
Phone Deletes the Connection	When connected, unpair inside the phone, the remote controller will enter the unpaired connection state, The indicator flashes green slowly.
Distance too Far to Disconnect	If the distance between the remote controller and the mobile phone is too far (greater than 10m), the remote controller will enter the unpaired connection state, The indicator flashes green slowly.
Automatically Connect	When the remote control is in the unpaired connection state, turn on the Bluetooth control of the mobile phone, and if it has been paired, it will be connected automatically.

## Wireless Remote Controller Specification

Operating Power Consumption	15mW
Standby Power Consumption	0.006mW
Battery	CR2032 225mAh
Voltage	3V
Current	0.2A
Operating Temperature	-30°C to 60°C
Wireless Control Distance	10.0m / 32.8ft
Wireless Controller Frequency	2.4G Hz

Manufacturer: Shenzhen Leqi Innovation Co., Ltd.

Add: Rooms 103, 501 and 601, Building 5, Fenghe Industrial Park, Nos. 1301-50  
Guanguang Road, Longhua District, Shenzhen, Guangdong, China.

Consignor: Shenzhen LC Co., Ltd.

Add: Rooms 602, Building 5, Fenghe Industrial Park, No. 1301-50 Guanguang Road,  
Xinlan Community, Guanlan Street, Longhua District, Shenzhen, Guangdong, China.

**CE RoHS FC**



R-R-LQS-4405

FCC ID: 2BC2U-4405LEQI

IC: 31675-4405LECH

Made in China



219-239355



# SmallRig



All-in-One 手机视频专业套件快拆简约版

— 操作指引 —



感谢您购买 SmallRig 产品。

使用本产品之前，请仔细阅读操作指引。

请注意所有警告提示并遵循使用操作指引的所有指令。

## 重要提示

- 请勿在水中使用，本产品不具备防尘、防水功能。
- 请勿让产品掉落到地面、受到碰撞或强烈冲击。

## 产品简介

欢迎使用SmallRig All-in-One 手机视频专业套件快拆简约版，本套件为手机 Vlog 拍摄及手机视频直播提供高效解决方案。套件包含通用快拆拓展框，快拆无线手柄和快拆手柄，支持手持拍摄，有效解决手机拍摄稳定性不足的问题。套件提供有多个标准1/4"-20 螺纹孔及冷靴接口，支持配件自由搭配组合，并搭配快拆配件连接，为拍摄提供更多可能，带来更多乐趣。

## 包装清单

包装内包含以下物品：



通用快拆拓展框

× 1



快拆无线手柄

× 1



快拆手柄

× 1



操作指引

× 1



用户手册

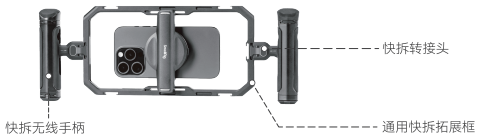
× 1



保修卡

× 1

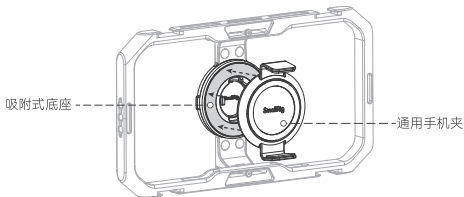
## 产品介绍



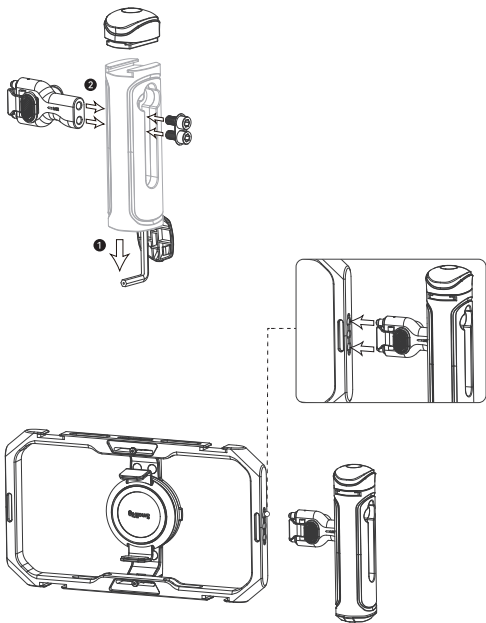
\* 请注意，本套件不包含手机。

## 安装步骤

1. 手机安装：（吸附式安装）捏住夹持柱两边的按键，取下手机夹，对准吸附圈吸附手机；（手机夹安装）拉开手机夹，避开手机按键，夹持住手机。



2. 快拆手柄安装：打开手柄底部的装饰盖，取出六角扳手，将快拆转接头安装到手柄主体上。再将转接头上下定位柱对准拓展框上的1/4"-20 螺纹孔，侧向按压手柄直至快拆卡扣完全卡入拓展框的快拆卡槽。



## 套件功能说明及特性

1. 手机专业视频双手持解决方案。
2. 支持手持拍摄，手柄快拆支持横竖模式快速切换。
3. 可分离式无线遥控器，支持一键拍摄，也支持远距离遥控。
4. 丰富拓展接口，为创作带来更多可能。
5. 通用拓展框支持手机带壳使用。

## 无线遥控器功能

遥控器名称	SmallRig WR-03
开机方式	长按2秒按键开机，指示灯快闪8秒进入待配对状态，待配对状态下指示灯绿色慢闪烁。
关机方式	长按2秒按键，指示灯长亮2秒，闪烁2次后指示灯熄灭
无配对连接状态	指示灯绿色慢闪烁
自动关机状态	开机后，无配对连接状态下无操作3分钟自动关机，指示灯闪烁熄灭。
已配对连接状态	配对连接后指示灯熄灭，10分钟无操作自动关机，指示灯熄灭。
拍照	短按按键，绿灯闪烁一次
拍视频	短按按键开启拍摄，绿灯闪烁一次；再次短按按键，停止拍摄，绿灯闪烁一次。
低电量状态	当电池电压低于2.5V，指示灯红色代替绿色闪烁，红灯慢闪。

开机自动配对	开机后，如上一次已配对手机无线控制是打开状态，直接自动连接。
休眠唤醒后自动配对	休眠唤醒后，如上一次已配对手机无线控制是打开状态，直接自动连接。
手机删除连接	自拍器与手机处于连接状态时，在手机里面取消自拍器配对，自拍器进入无配对连接状态，绿灯慢闪。
距离过远断开	自拍器与手机处于连接状态时，自拍器或手机距离过远（大于10m）断开后，自拍器进入无配对连接状态，绿灯慢闪。
打开手机无线控制自动配对	自拍器处于无配对连接状态时，打开手机无线控制，如上一次已配对，自动连接。

## 无线遥控器规格

工作功耗	15mW
待机功耗	0.006mW
电池规格	CR2032 225mAh
电压	3V
电流	0.2A
工作温度	-30°C ~ 60°C
无线控制距离	10m
无线频率	2.4G Hz

执行标准: GB 7000.1-2015, GB4943.1-2022

LQ-P1313-18

制造商: 深圳市乐其创新股份有限公司

地址: 中国广东省深圳市龙华区观澜街道新澜社区观光路 1301-50 号丰和工业园  
厂房 5 栋 103、501、601

委托商: 深圳市乐长科技有限公司

地址: 中国广东省深圳市龙华区观澜街道新澜社区观光路 1301-50 号丰和工业园  
厂房 5 栋 602

**CE RoHS FC**



R-R-LQS-4405

FCC ID: 2BC2U-4405LEQI  
IC: 31675-4405LECH



**R** 219-239355



中国制造